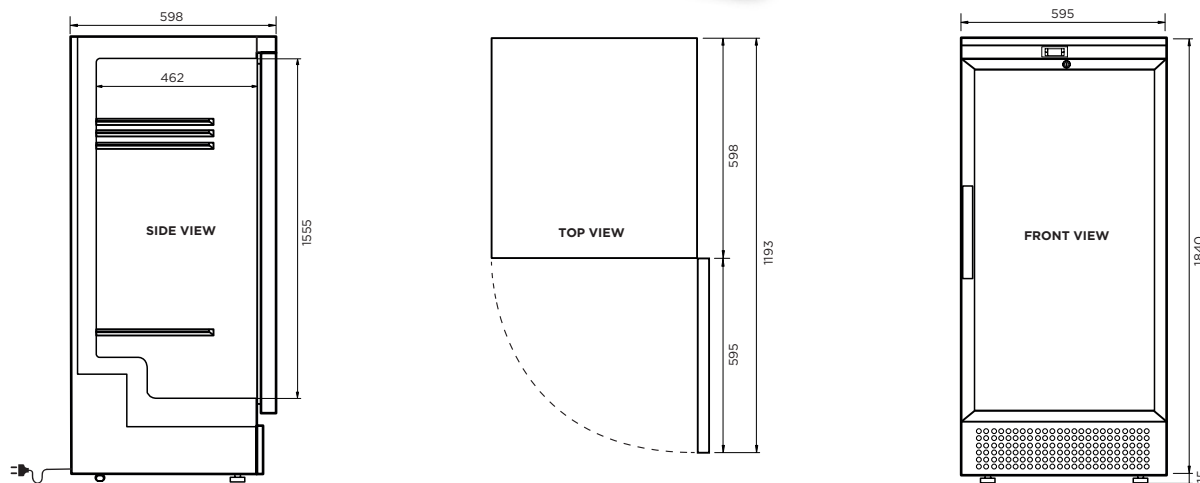
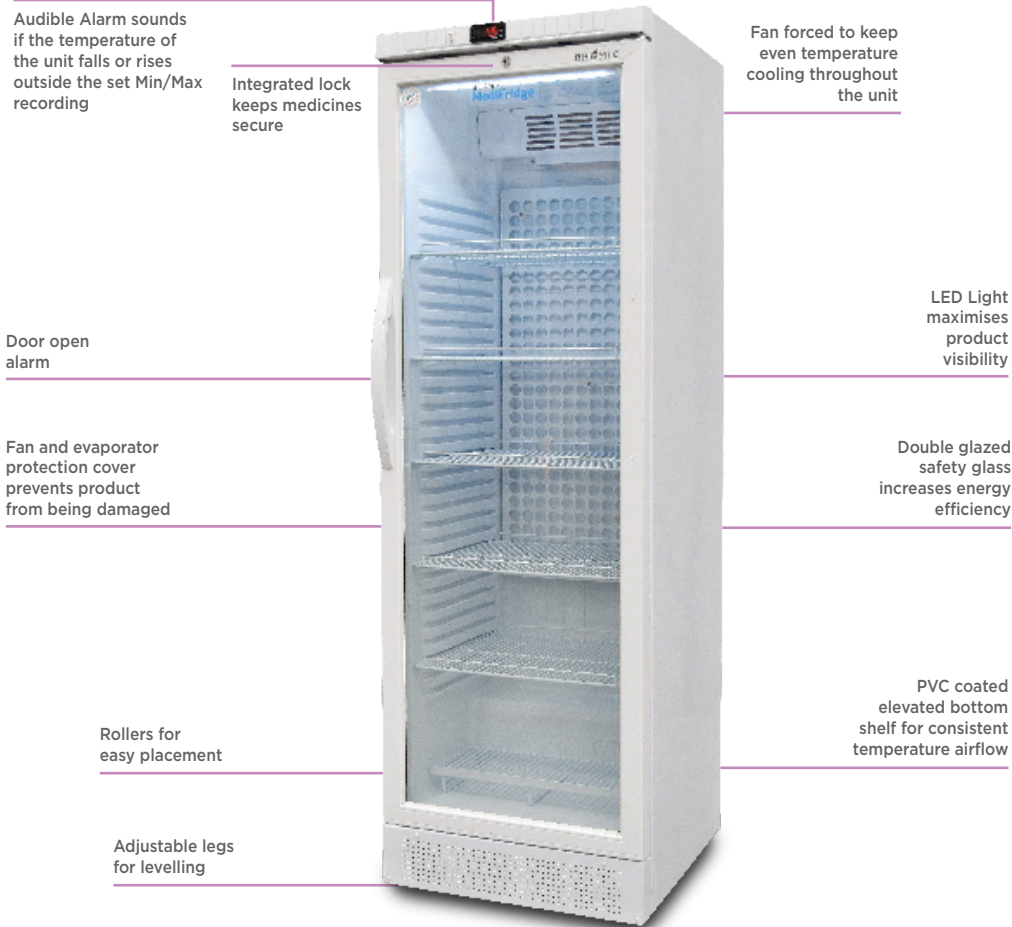




MED0374GD | Bromic MediFridge™ Display Chiller 374L



FEATURES

- Integrated temperature Alarm System ensures sensitive stock is maintained and managed according to requirements
- Fan Forced air circulation ensures even temperature throughout the unit
- Increased air circulation around the unit thanks to unique custom wire 'open rung' shelves at the top and bottom to prevent overstocking
- Consistent air circulation throughout the unit ensures mandated temperatures of 2°C to 8°C
- Backed by Bromic national services & warranty

DIMENSIONS

	External (mm)	Internal (mm)
Width	595	505
Depth	598	462
Height	1840	1555

BROMIC Pty Ltd reserve the right to alter specifications without notice.



MED0374GD | Bromic MediFridge™ Display Chiller 374L

SPECIFICATIONS

Part Number	3736218	External (mm)	Internal (mm)
Capacity	372L	Width	595
Weight	81kg	Depth	598
Air Circulation	Fan-Forced	Height	1840
Climate Class	4		1555
Temperature	Range	+2°C to 8°C	
	Min/Max Temp Recorder	Yes	
	Display	Digital	
Exterior	Material	Powder Coated Sheet Metal	
	Solid or Glass	Low-E Glass + Argon Gas	
	Shape	Flat	
Door	Self-Closing	Yes	
	Door Lock	Yes	
	Door Switch	Yes	
	Door Swing Dimension	595mm	
	Total Depth of Door Open	1193mm	
	Shelves	No. of Shelves	6 (5 full size, 1 floor shelf)
Style of Shelves		Open rung shelf	
Shelves Dimensions		500 x 400mm	
Adjustable		Yes	
Capacity		20kg	
Electrical	Voltage	240V	
	Frequency	50Hz	
	Input Power	350W	
	Current	2.7A	
	Power Consumption	2.37kWh/24hr	
Compressor	Refrigerant	R134a	
	Charge	200g	
Alarms	Temperature	Yes	
	Audible	Yes	
Internal Lighting	LED Internal Light	Yes	
Defrost	Manual/Automatic	Automatic	
	Type of Defrost System	OFF Cycle	
Plug	Type	3-pin AU plug	
	Rated Current	10A	
	Plug Location	Rear, bottom left	
Insulation Type	Cyclopentane		
Feet/Wheels	2 rollers at rear, 2 feet at front		
Approvals	Quality Care Pharmacy Program Compliance - Cold Chain Testing (QCPP), MEPS, The Pharmacy Guild of Australia		
Warranty	5 year warranty		
Data Logger	Available, part #350700050		

BROMIC Pty Ltd reserve the right to alter specifications without notice.