

Trolley white

Trolley for examination lights and magnifiers. Star-shaped base with wheel brakes. For magnifiers only, an extra weight is recommended to stabilize the trolley. Available in white only.

Item No.	BRK025205
GTIN	7040670252050
Stock status code	A



Technical specifications

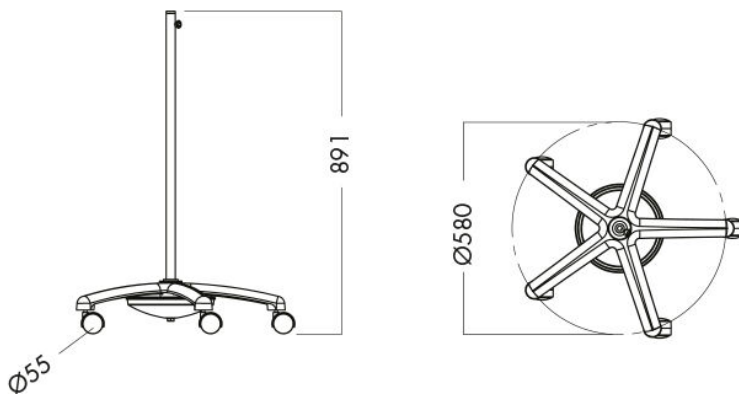
Dimensions

Item Net Weight (kg)	10.9296
----------------------	---------

Logistic Data

Item Net Weight (kg)	10.9296
----------------------	---------

Illustrations



Distributed by:
 AMA Medical Products
amamedicalproducts.com.au
sales@amamedicalproducts.com.au
 1800 626 292